

THE RULES

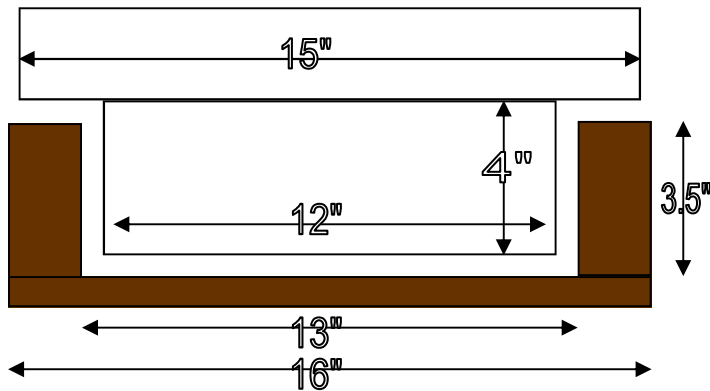
GENERAL IDEA:

Finish your machine before you arrive. Go faster than everyone else. Don't Crash. Win braggin' rights.

RACING MACHINES:

Machines are to be hand-held power tools. A hand held power tool is a machine intended for handheld operation by one individual. A machine primarily used on a stationary mount, or rolled on wheels, or used by a group of people is not a hand tool for the purposes of this event. Hand tools must run on AC electric. Examples of hand tools are machines like belt sanders, angle grinders, Skilsaws, drills, electric chainsaws, etc. Examples of things that are NOT hand tools are things like lawnmowers, floor sanders, generators, bench grinders, etc.

AC electrical cords will be 100' long per lane, originating at the starting line. They will have standard Edison 3-prong connectors. You will be responsible for "coiling" the cord on the ground or laying it along side the track for your run. No spools or cord guides allowed, but duct tape will be provided so you can tape the connector together. Tangles or poor cord feed is your responsibility.



Machine Dimensions:

Width

* Below 4" – 12" wide max

* Above 4" – 15" wide max

Height – No Limit

Length – 36" Max

THE TRACK:

The drag strip is roughly 60' of reasonably flat wood track. There will be another 50 feet or so to slow down with added blankets and futons to help with the deceleration of the faster entries. Machines will run on parallel wood tracks 13" wide with 2" X 4" rails on either side. We will make every effort to maintain the straightness and accuracy of this track, but expect some variation and bumps at the joints. This wood track will look something like this:



THE PRIZES(S):

Fastest Machine
Most impressive engineering
Most pathetic engineering
Most dangerous machine
Most spectacular crash

SAMPLE MACHINE PICTURES





